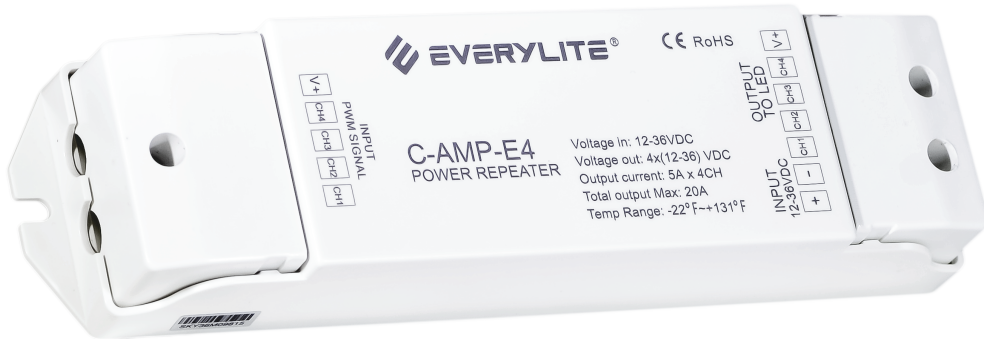


Date:	
Type:	
Firm Name:	
Project:	



Everylite Datasheet Ver 2.0

C-AMP-E4 4 Channel LED Repeater



Features

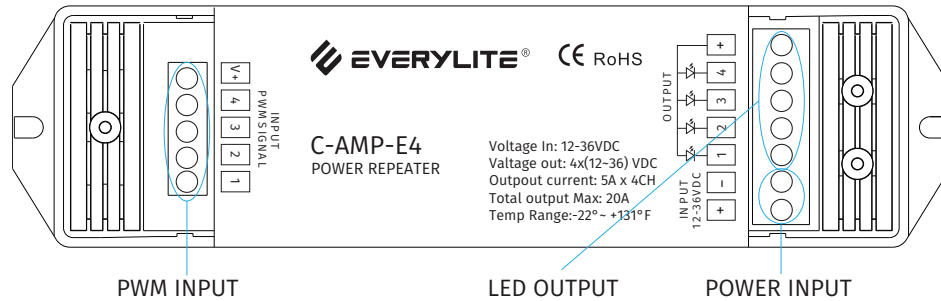
- The C-AMP-E4 is a 12-36 VDC constant voltage LED power repeater with 4 channels, maximum 5A per channel output, which is designed to expand power output and receive PWM signal control.
- By adding one more power repeater, the controller can manage more LEDs; and theoretically, unlimited power repeaters can be connected together to expand power output unlimitedly.



Technical Parameters

Input Voltage	Max. Load Current	Output Signal	Working Temperature	Dimensions (L x W x H)
12 - 36 VDC	5A/Channel	4 x (12 - 36) VDC	(-22 ~ +131) ° F	(6.88x 1.77 x 1.06) in

Interface Specification

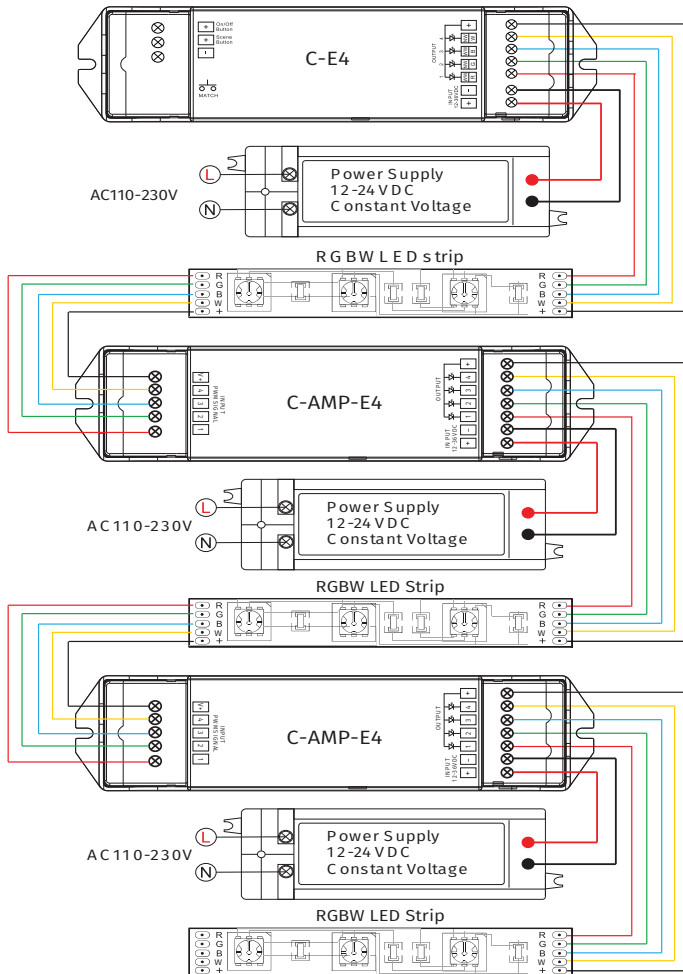


Malfunctions Analysis & Troubleshooting

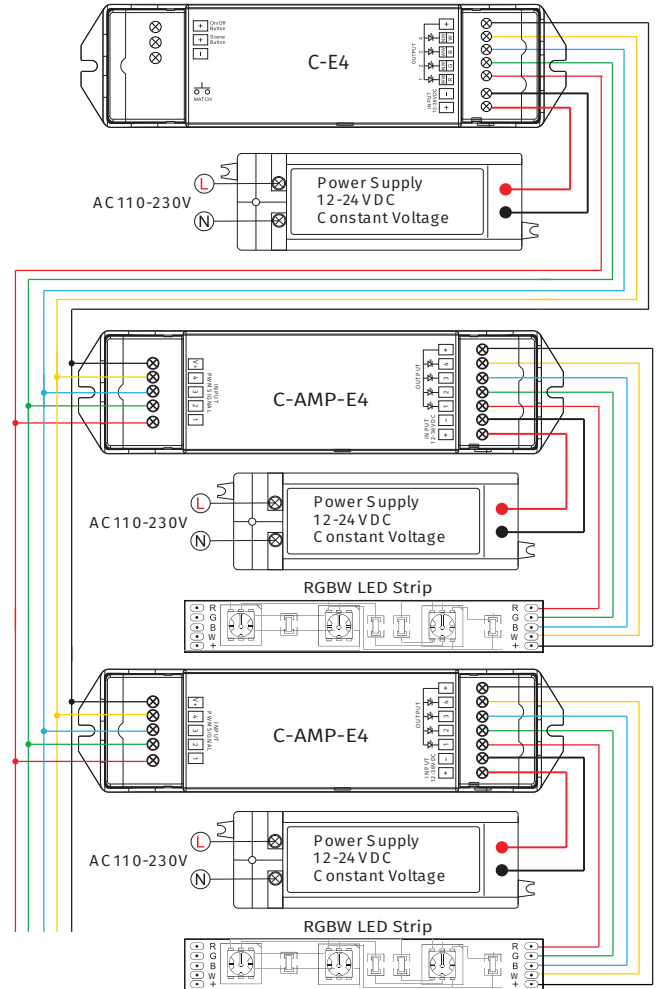
Malfunctions	Causes	Troubleshooting
No Light	<ol style="list-style-type: none"> 1. No Power. 2. Wrong or Insecure Connection. 	<ol style="list-style-type: none"> 1. Check the Power 2. Check the Connection
Wrong Color	<ol style="list-style-type: none"> 1. Wrong connection of R/G/B/W wires. 	<ol style="list-style-type: none"> 1. Reconnect R/G/B/W wires
Uneven Intensity Between Front and Rear, with Voltage Drop.	<ol style="list-style-type: none"> 1. Output cable is too long. 2. Wire diameter is too narrow. 3. Overload beyond power supply capability. 4. Overload beyond controller capability. 	<ol style="list-style-type: none"> 1. Reduce cable or loop supply. 2. Change to wider cable. 3. Replace for higher power supply. 4. Add power repeater.

Wiring Diagram

Series Connection



Parallel Connection



Safety Information

1. The product shall be installed and serviced by a qualified person.
2. This product is a non-waterproof, indoor rated device. Please avoid the sun and rain.
3. Good heat dissipation will prolong the working life of the controller, please ensure good ventilation.
4. Please check if the output voltage of any power supplies used comply with the working voltage of the products.
5. Ensure all wire connections and polarities are correct and secure before applying power to avoid any damages to the LED lights.
6. If a fault occurs please return the product to your supplier. Do not attempt to fix this product by yourself.

Dimensions

