



C-ART-ACC-C4T Extended 4 Port Output



Features

- 4 port accessory for C-ART-C4E1
- Expand DMX512 output from 2 to 4
- Can be utilized as a splitter or support multiple universe output
- DMX512 is connected via RJ45 connectors



Technical Parameters

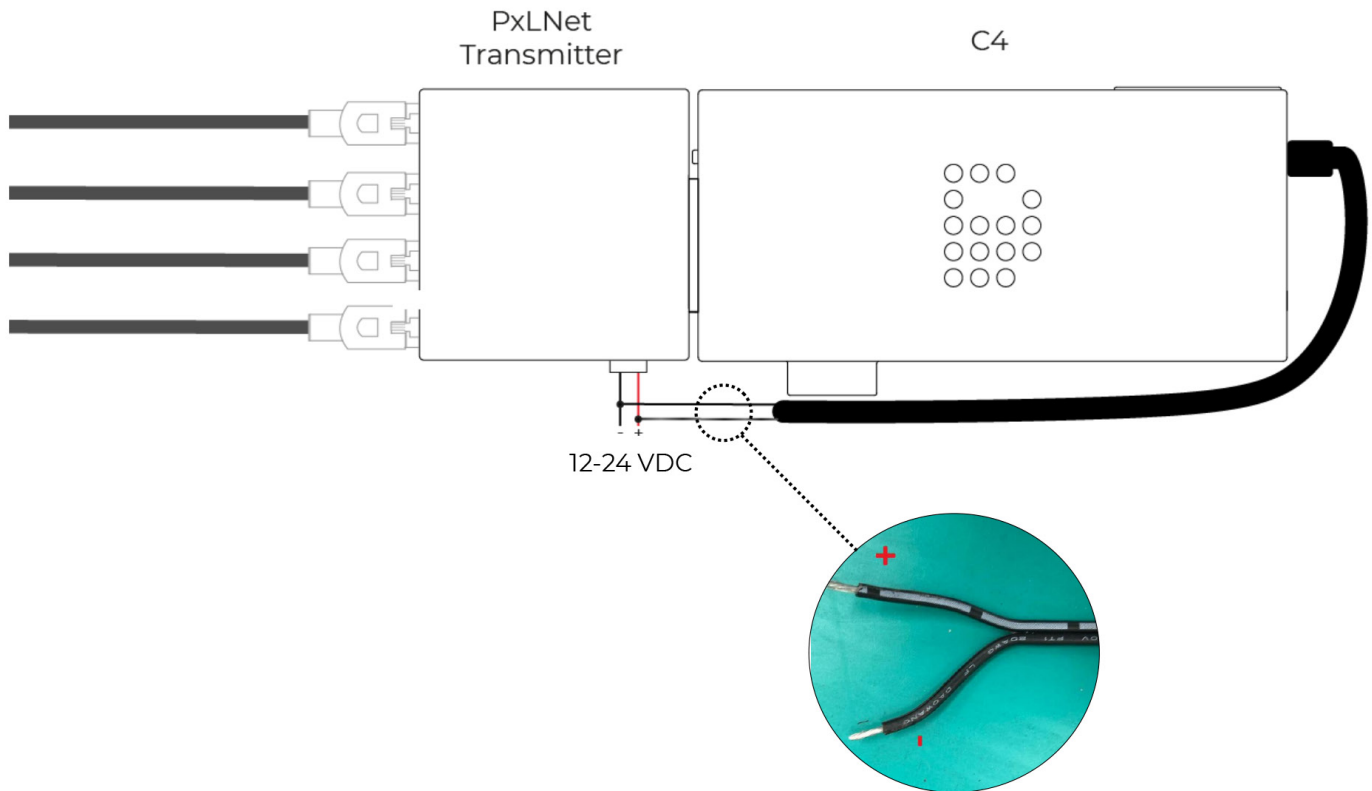
Input Power	Input Type	Protocols	Max. Output Channels	IP Rating
1 W	12-24 VDC	SPI, DMX512	2048	IP40

Working Temperature	Max. Humidity	Connectors	DMX Connector Pin Out	Dimensions (L x W x H)
32 to 122°F	90%	4 x RJ45 output ports	Pin 1 - orange/white - Data+	25.59in x 25.59in x 9.84in
			Pin 2 - orange - Data-	
			Pin 7 - brown/white - GND/DC-	
			Pin 8 - brown - GND/DC-	

Safety Information

- Installation should only be carried out by a professional and certified installer that is qualified to work on the electric installation.
- Do not conduct any repairs of the device (there are no user serviceable parts inside). Any unapproved repairs and/or product modifications will void product warranty
- Always disconnect the mains power when working on a high voltage electric installation, not doing so may result in product damage and/or personal injuries.
- Never use a product that is damaged or does not work correctly or when the product starts to smoke, or when a crackling/sizzling noise is audible. If this is the case in any way, disconnect power and please contact your supplier immediately.
- The only way to power off this product is to disconnect it from the power source.
- The product is designed for indoor use (dry locations) only.

Wiring Diagram



Technical Drawing

