



C-ART-EU10 DMX Gateway



Features

- 10 DMX512 universe output utilizing RJ45 connection
- LED Indicators to show status of the device
- Compatible with any standard DMX512 controller that outputs eDMX
- RDM bi-directional communication function
- Online interface accessible via IP address



Technical Parameters

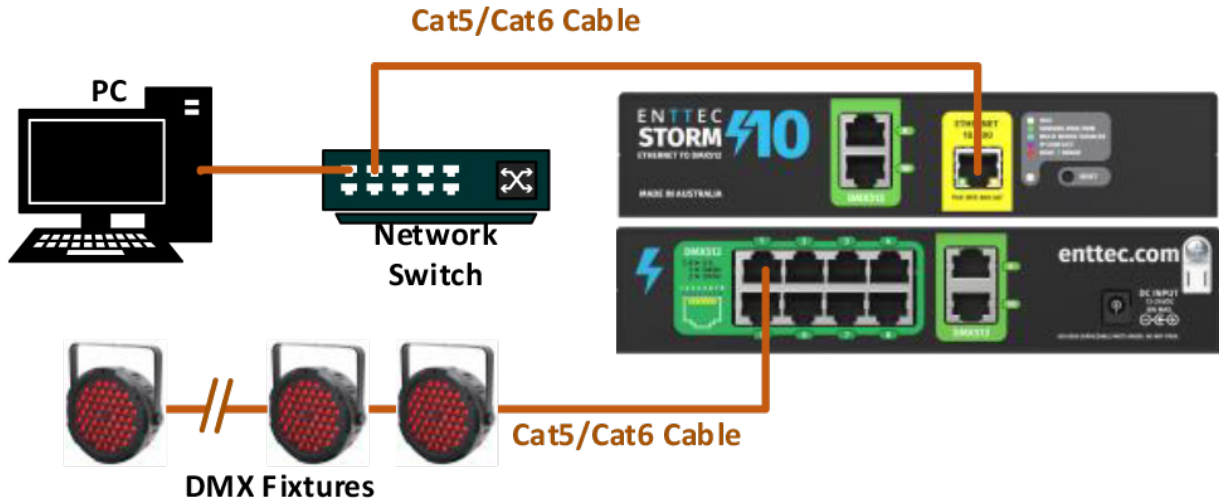
Input Power	Max. Power Consumption	Input Type	Max. Output Channels	IP Rating
PoE or DC Input	8 W	12-24 VDC	5120	IP20

Protocols	Working Temperature	Connectors	DMX Connector Pin Out	Dimensions (L x W x H)
Art-Net, sACN, ESP, RDM, DMX512	32 to 122°F	10 x RJ45 output ports	Pin 1 - orange/white - Data+	7.87in x 4.72in x 1.65in
			Pin 2 - orange - Data-	
			Pin 7 - brown/white - GND/DC-	
			Pin 8 - brown - GND/DC-	

Safety Information

- This unit is intended for indoor use only.
- Do not expose to rain or moisture, doing this will void the warranty.
- Make all the connections before you plug in the main power.
- Do not remove the cover, there are no serviceable parts inside.
- Never plug this unit into a dimmer.
- Always be sure to mount this unit in an area that will allow 6" (20cm) of ventilation.
- Power-supply cords should be routed so they cannot be damaged, damaged or force applied to the device's ports.
- Label any Cat5/6 DMX connector and DO NOT connect to non-DMX port (eg Ethernet Switch). Connecting unlike systems could result in serious damage to STORM10 and equipment.

Wiring Diagram



Technical Drawing

