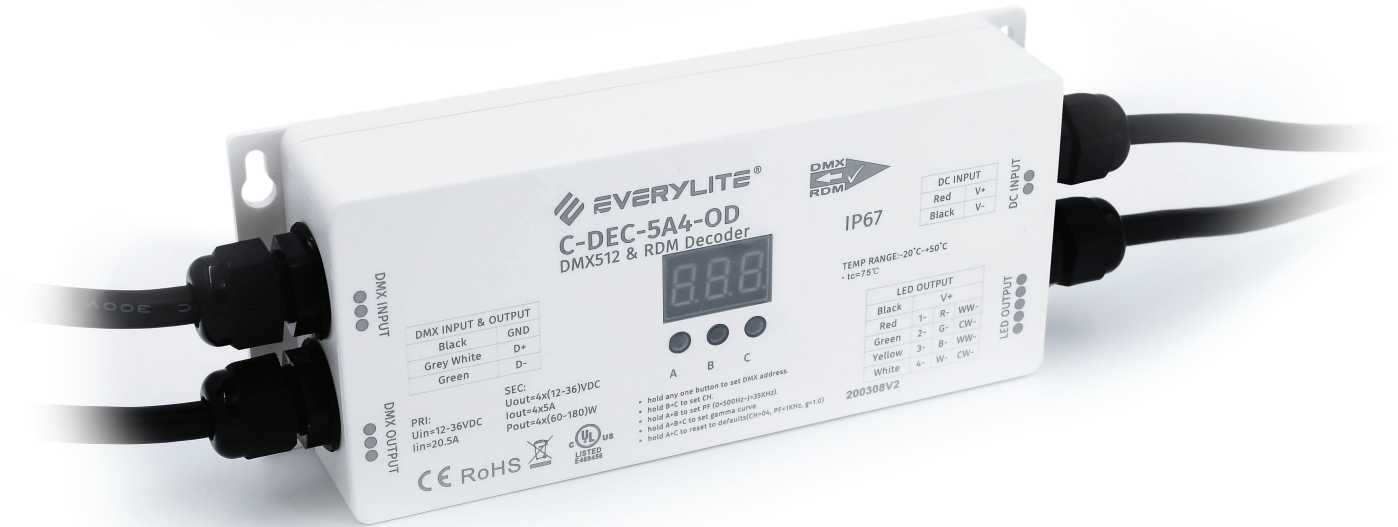
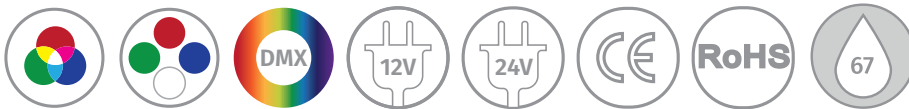


Date:	
Type:	
Firm Name:	
Project:	



Everylite Datasheet Ver 3.0

C-DEC-5A4-OD DMX Decoder



Features

- Standard DMX512 compliant control interface.
- Digital display shows DMX address.
- Three-channel/four-channel output selectable.
- Compatible with any standard DMX512 controller.
- IP67 rated for outdoor use.
- Compatible with 12V and 24V system.

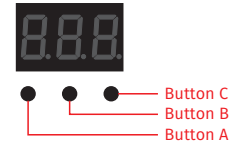


Technical Parameters

Input Voltage	Max. Load Current	Total Output Max.	Output Type	Working Temperature
12 - 36 VDC	5A/Channel (4CH)	20A	PWM	(-4 ~ +122)°F

Operation

Hold any 1 button for 2 seconds to set desired DMX512 address, button A is to set the “hundreds” position, button B is to set the “tens” position, button C is to set the “ones” position.



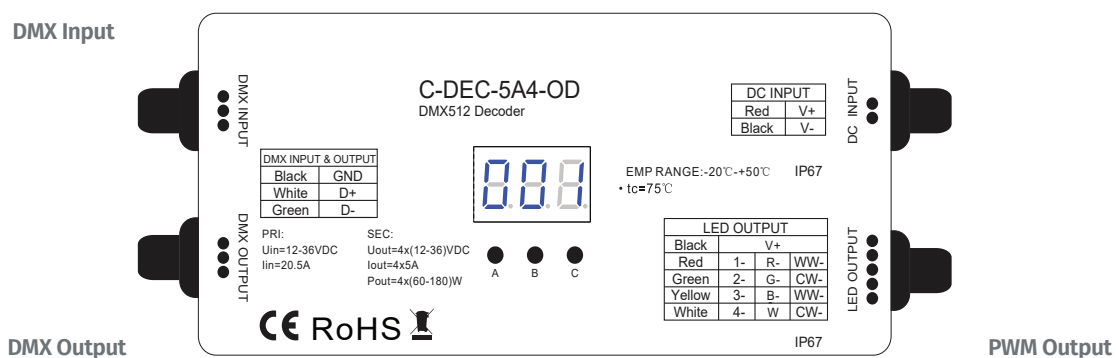
To choose the total number of channels press button B and button C simultaneously for 2 seconds, cH digital display will flash. Then press button 1 to choose 1, 2, 3, or 4. For example, 3 represents (3) total number of channels. Press any button for at least 2 seconds to confirm. The factory preset default is 4 channels output.



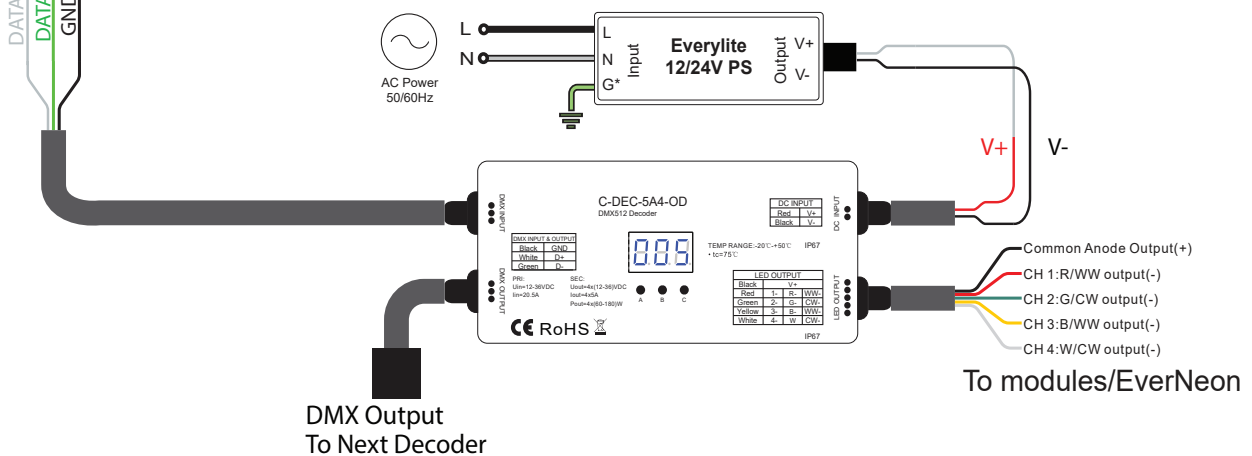
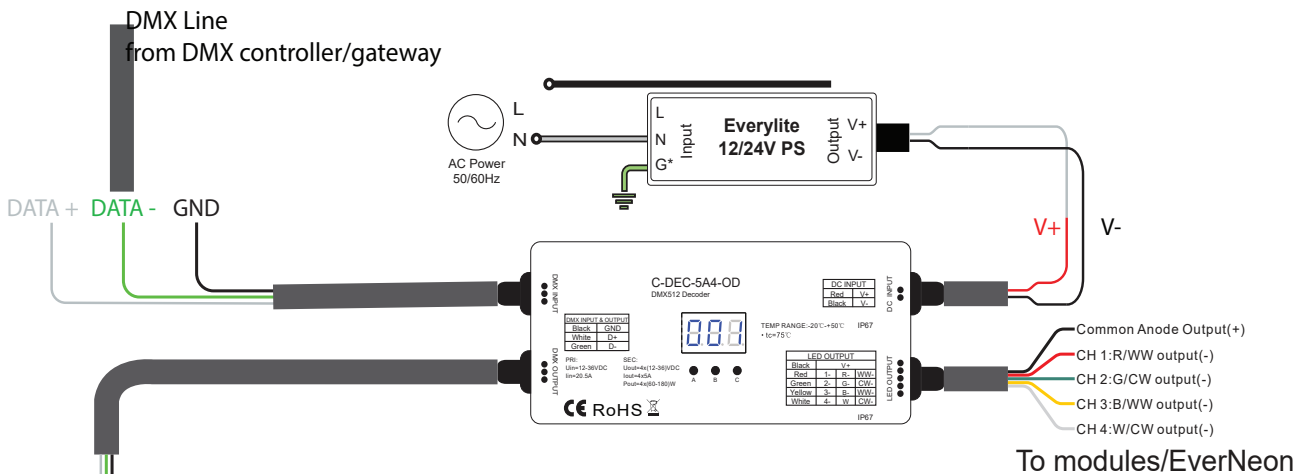
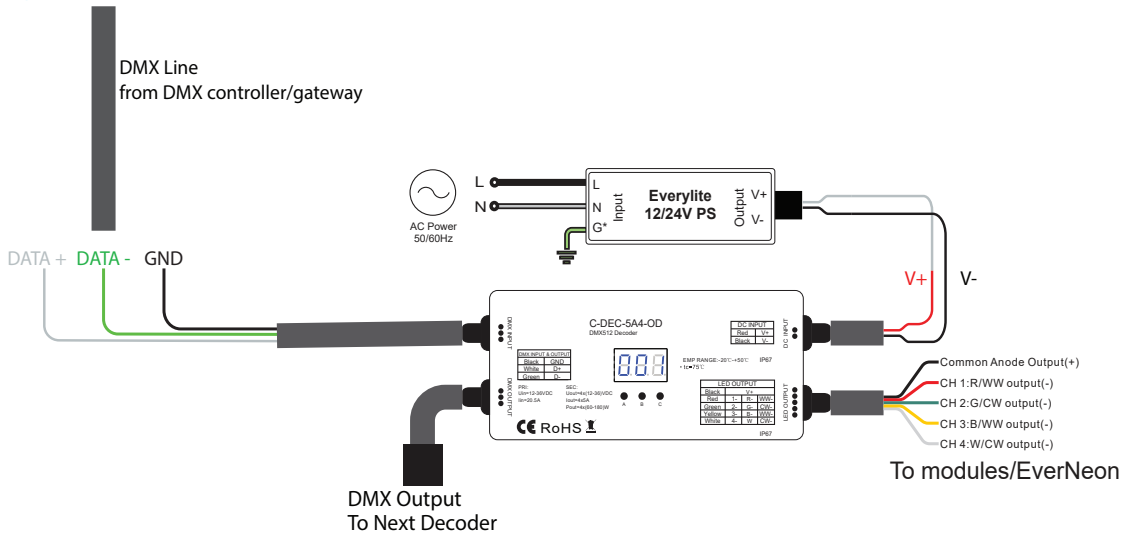
To change the frequency press button A and button C for 2 seconds, digital display will flash to show “P_c”. “P” means PWM frequency, press button A to show “1”, which stands for 1500 Hz, “2” stands for 200 Hz. “c” means dimming options, press button C to show “1”, which stands for logarithmic dimming, “2” stands for linear dimming. The factory preset default is PWM frequency 200Hz with linear dimming “2_2”.



Interface Specification



Wiring Diagram



Safety Information

1. The product shall be installed and serviced by a qualified person.
2. This product has an IP67 rating, and is suitable for use in a damp environment.
3. Please check if the output voltage of any power supplies used comply with the working voltage of the products.
4. Ensure all wire connections and polarities are correct and secure before applying power to avoid any damages to the LED lights
5. If a fault occurs please return the product to your supplier. Do not attempt to fix this product by yourself.

Dimensions

