



## C-DMX-8T DMX Touch Panel Controller



### Features

- Outputs a single DMX512 Universe
- 16 Individual controllable groups
- 8 presets per group
- Built-in Scheduling Function
- Can control single color, CCT, RGB, RGBW, and RGBWW products.
- VAC Input



## Technical Parameters

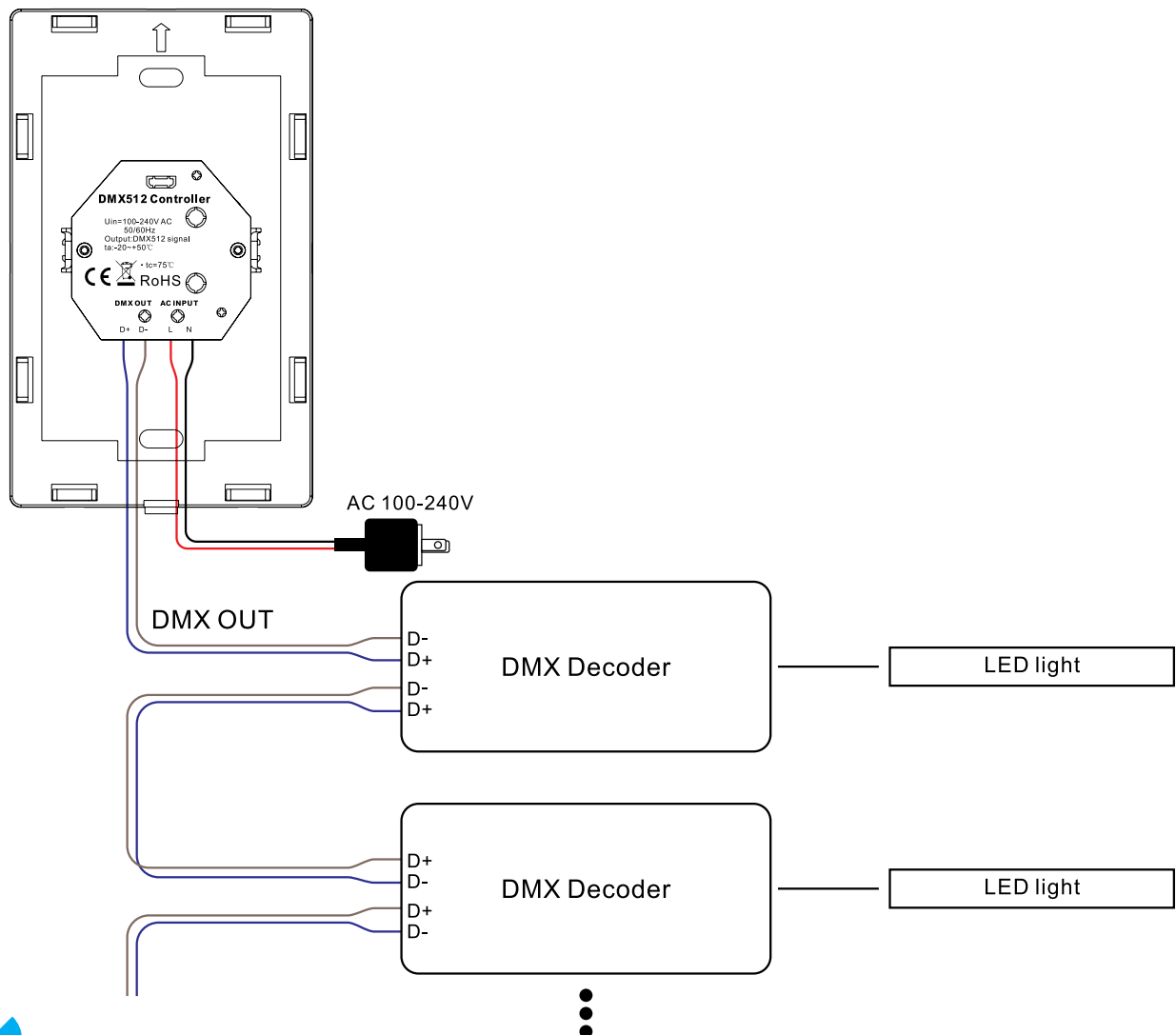
Input Power	Max. Amperage	Max. Output Channels	Usage
100-240VAC, 50/60Hz	15mA	512	Indoor Use Only

Protocols	Working Temperature	Humidity	Dimensions (L x W x H)
DMX512	32 to 104°F	80%	4.72in x 2.95in x 1.61in

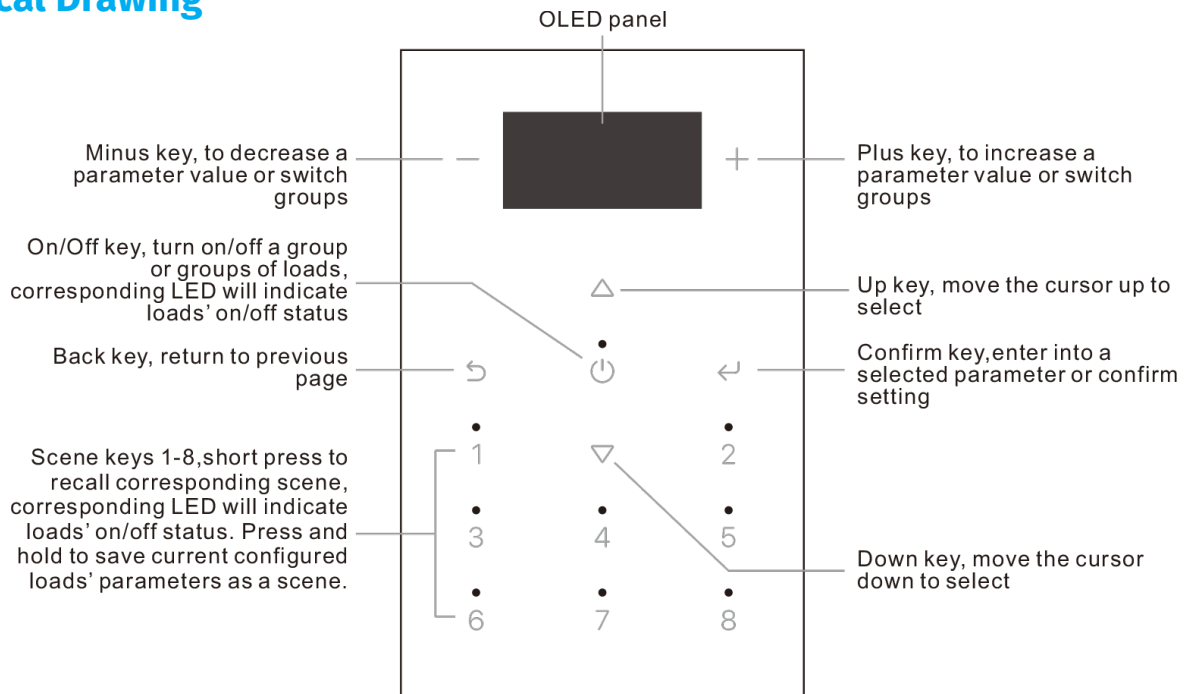
### Safety Information

- Do not install with power applied to the device.
- Do not expose the device to moisture.

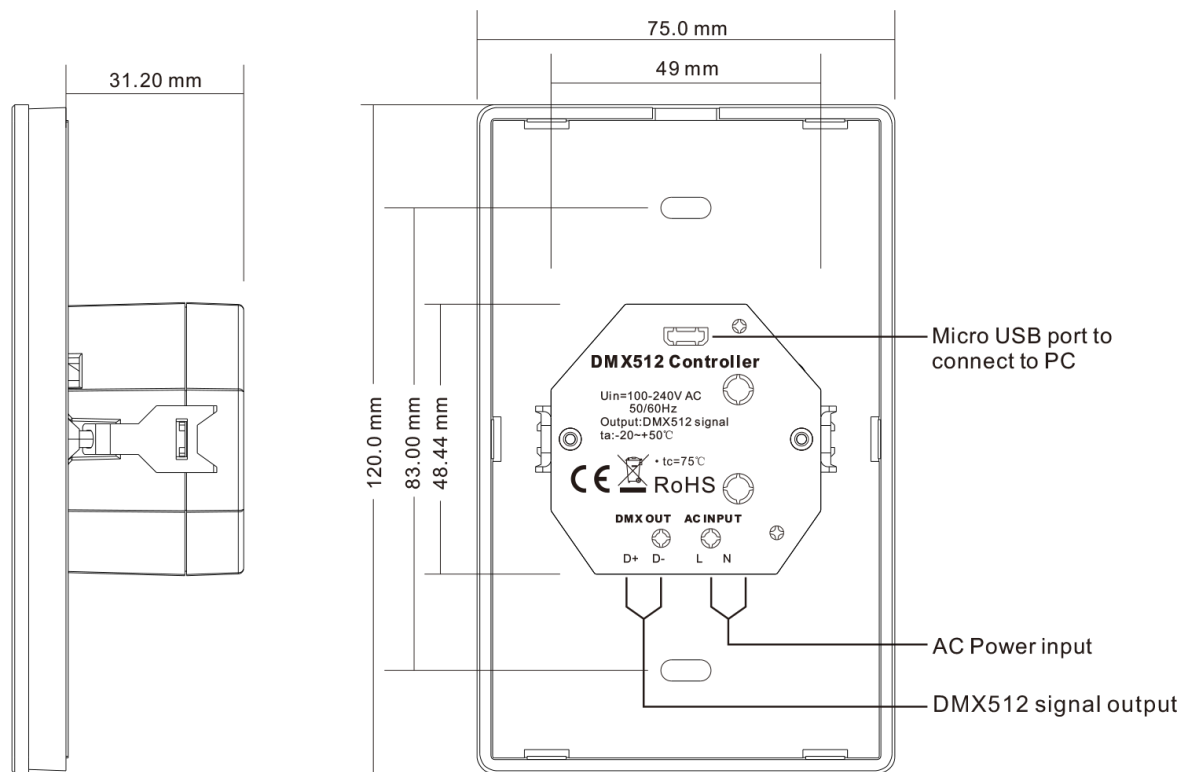
## Wiring Diagram



## Technical Drawing



Front side



Back side