

Date:	
Type:	
Firm Name:	
Project:	



C-PWM-5A4-IN Indoor LED Controller

Everylite Datasheet Ver 3.0.0
Revision Date 08/2021



Features

- Multiple zones can be controlled separately or synchronously with unlimited receivers in each zone
- Can be controlled by APP installed on IOS or Android mobile devices without a WiFi-RF converter
- Brightness of each R, G, B, and W color can be adjusted to achieve millions of colors
- Full compatibility with a variety of single color, dual color, RGB and RGBW LEDs
- Each receiver can be controlled by up to 8 remotes
- Radiofrequency available: 869.5/434/916.5 MHz
- Waterproof WiFi and RF RGBW LED controller
- Compatible with RF remote or App control
- IP20 Rated
- UL Rated



Technical Parameters

Input Voltage	Max Load Current	Input Type	Radio Frequency	Output Type	Working Temperature	Dimensions (LxWxH)	Waterproof Rating
12-36 VDC	4 x 5A	RF/WiFi	868/915/434 MHz	PWM	(-4 ~ 122) °F	1.81" x 7" x 0.83"	IP20

How to pair with a RF remote

Pair using the Learning Key:

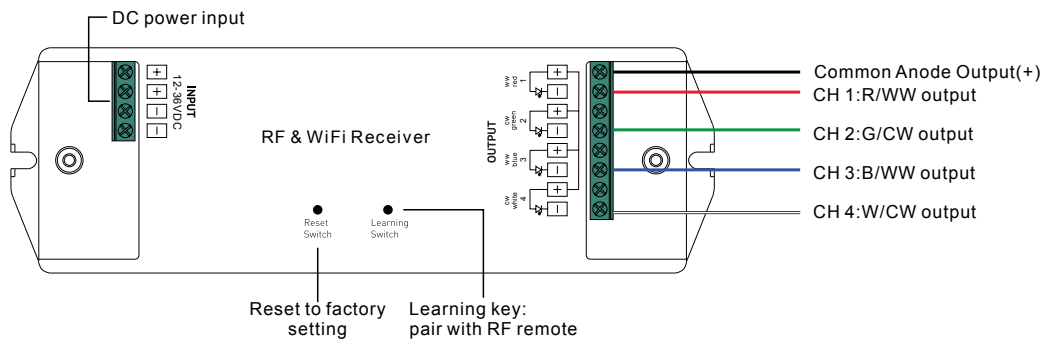
1. Wire and power on the receiver according to specifications.
2. Turn on the remote.
3. Click the **"Learning Key"** button on the receiver.
4. Immediately click a zone number on the remote to pair the receiver to the specified zone.
5. Touch the color wheel or slider on the remote. The connected led light on the receiver flickers twice, which indicates a successful pairing.

Note: One receiver can be paired to a maximum of 8 remote controls.

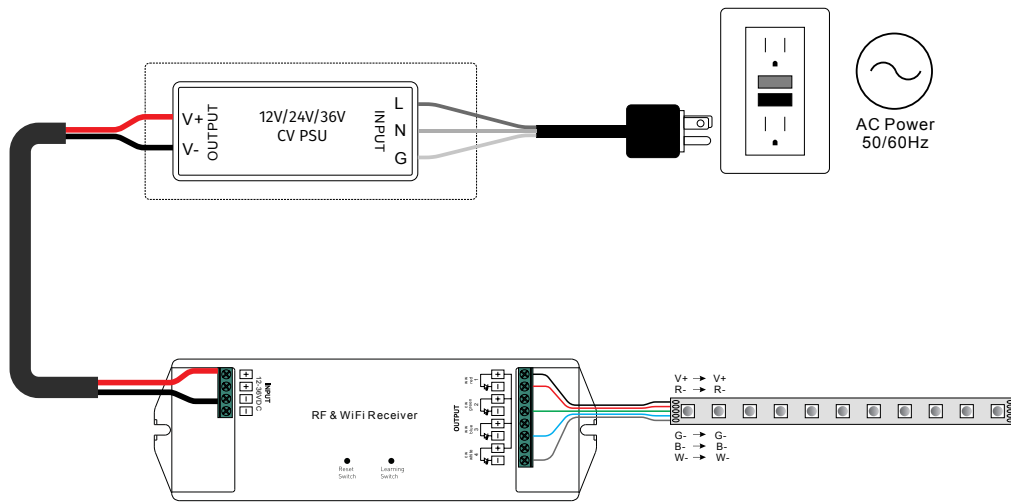
Delete the pairing:

1. Press and hold the "Learning Key" button on the receiver for over 3 seconds until the connected led light flickers twice indicating successfully deleted.

Interface Specifications



Wiring Diagram



Safety Information

1. The product shall be installed and serviced by a qualified person.
2. Good heat dissipation will prolong the working life of the controller, please ensure good ventilation.
3. Please check if the output voltage of any power supplies used comply with the working voltage of the products.
4. Ensure all wire connections and polarities are correct and secure before applying power to avoid any damages to the LED lights.
5. If a fault occurs please return the product to your supplier. Do not attempt to fix this product by yourself.

Dimensions

