

Date:	
Type:	
Firm Name:	
Project:	



C-ART-C4EX DMX Controller

Everylite Datasheet Ver 3.0
Revision Date 03/2022



Features

- 1, 2, 4, or 8 DMX512 universes
- Art-NET/DMX to SPI
- Supports DMX512/1990
- Multi-Protocol Support Art-Net/sACN/DMX to SPI/DMX
- Ethernet connectivity for programming/control/supervision
- Network communication. Control lighting remotely
- Dedicated Android/IOS App
- Internal Effects/color generator
- Static or Dynamic (DHCP) Ip configuration
- Built in Wi-Fi
- Triggers based on: Internal timer/calendar, Sunrise/Sunset (GPS or city based), Power up, Onboard button, Art-Net, DMX, OSC.

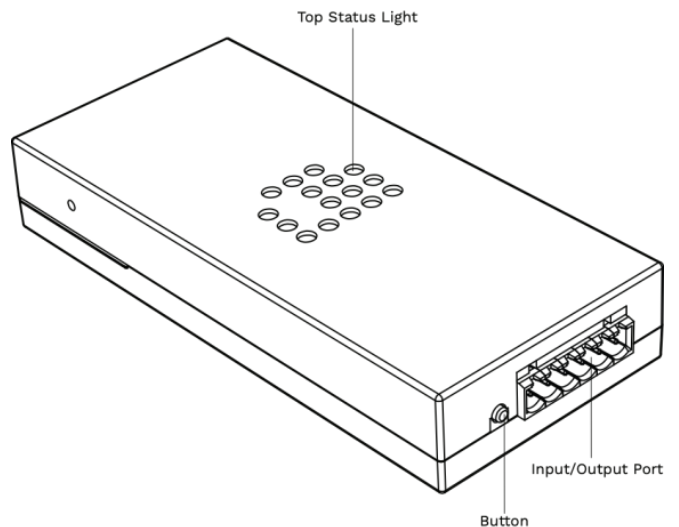
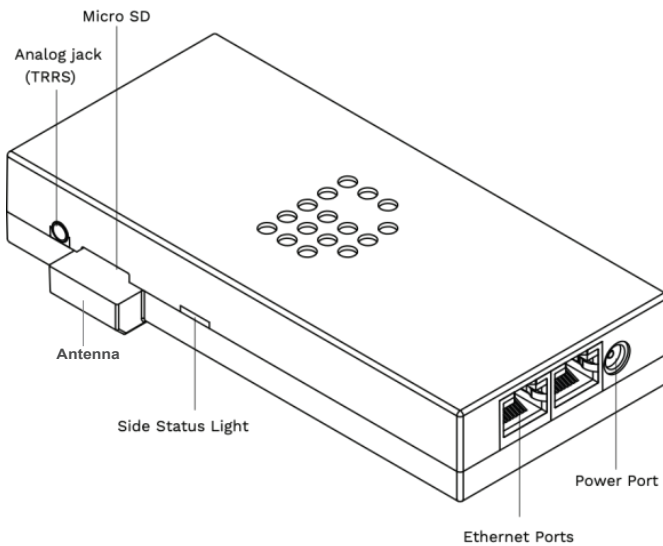


Technical Parameters

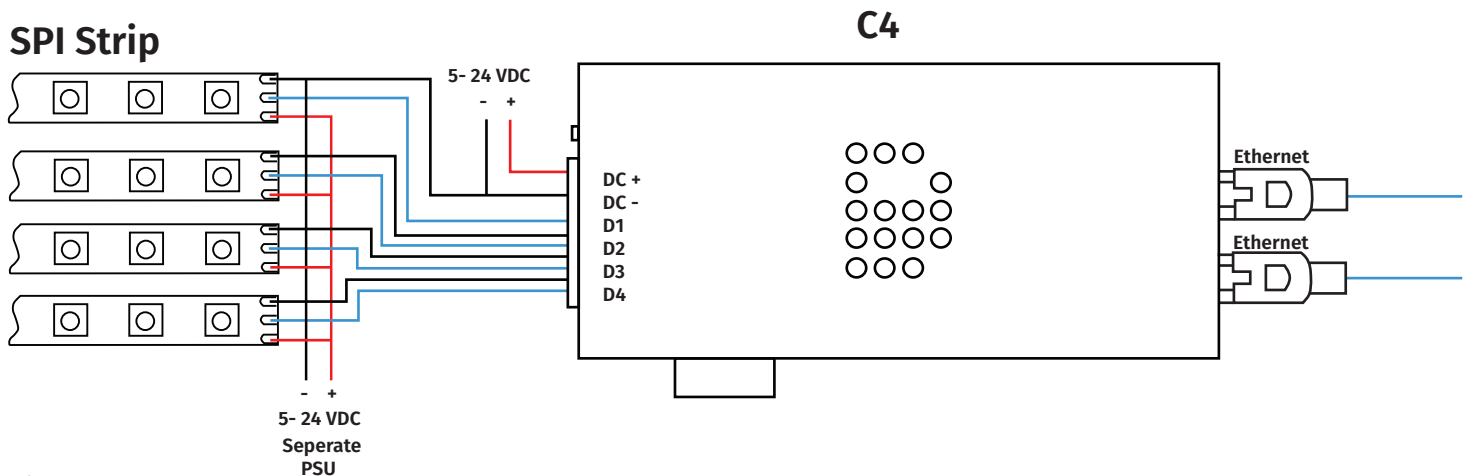
Input Power	Wattage Consumption	Output Protocol	Programmability	Connections
5 ~ 24 VDC	5 W	DMX512, 1048/2048/4096 Art-Net DMX TTL (4), 59+ SPI protocols	PC, Mac, Tablet, Smart-phone	Power: 5-24VDC Power Jack, Art-Net Data: RJ45 bus, IO port: 6-pin Input/Output Terminal Connector

Indicators	Working Temperature	Storage Temperature	Standards	IP Rating	Dimensions (L x W x H)
LED indicators (RGB Status, System and hardware errors)	(32 ~122) °F	(-4 ~122) °F	CE, cETL US, RoHs	IP20	(6.02 x 2.91 x 1.10) in

Hardware



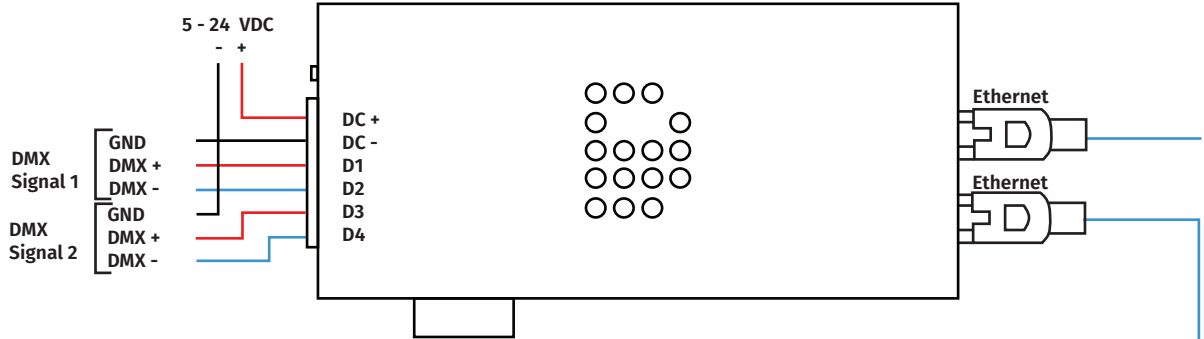
Wiring Diagrams



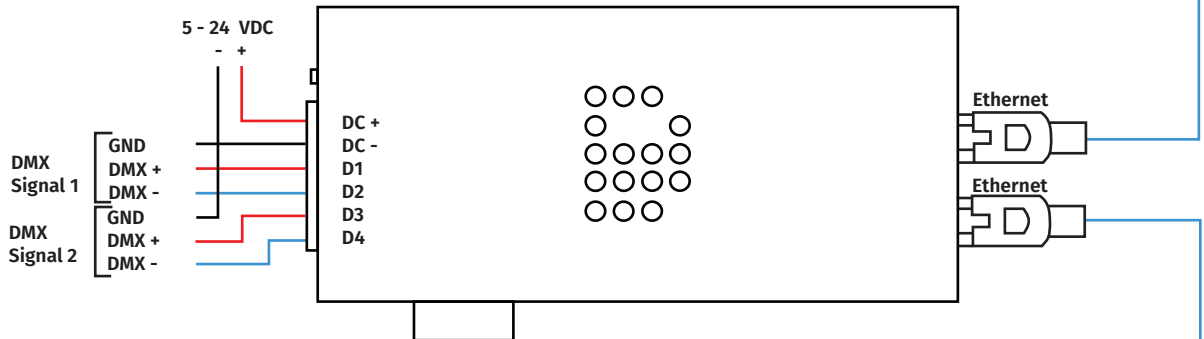
Wiring Diagrams

DMX IN

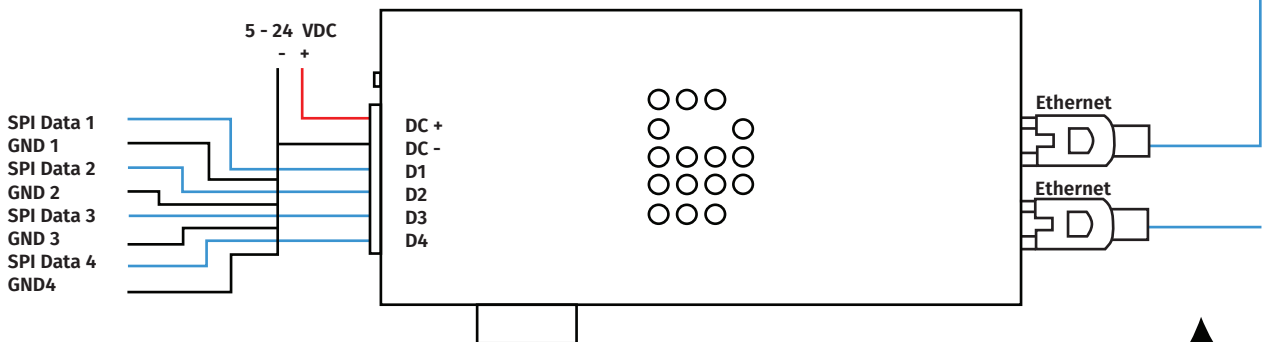
C4



DMX OUT



SPI



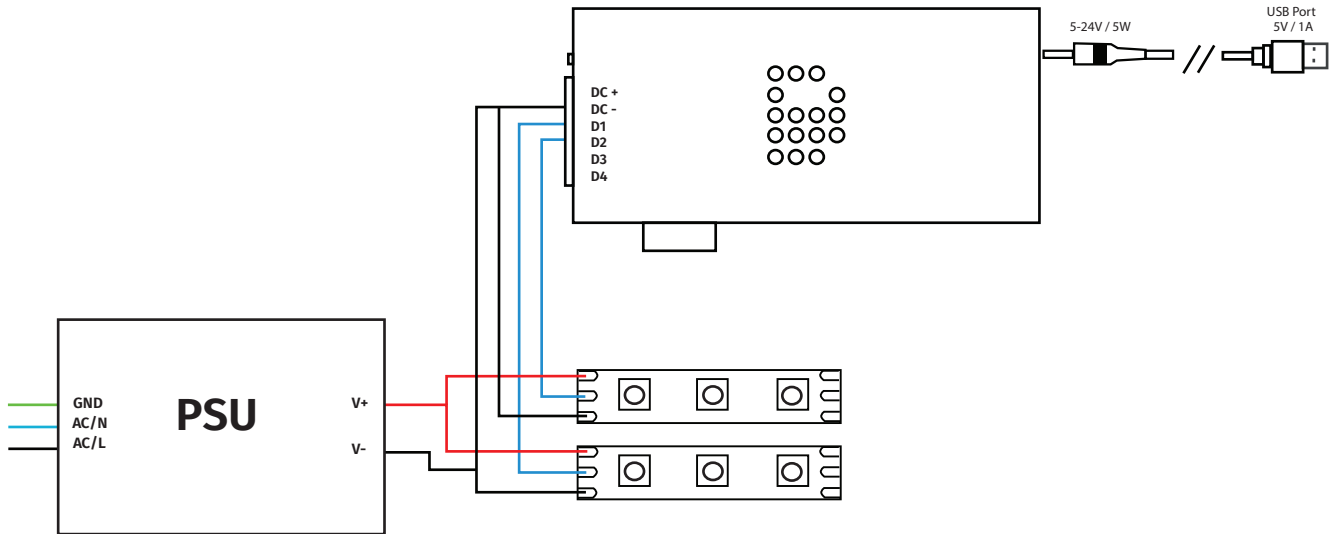
DiGidot C4 contains a small network switch so that the devices can be daisy chained for more output. Do not daisy chain more than 5 DiGidot C4 together.



Wiring Diagrams with Power Supply

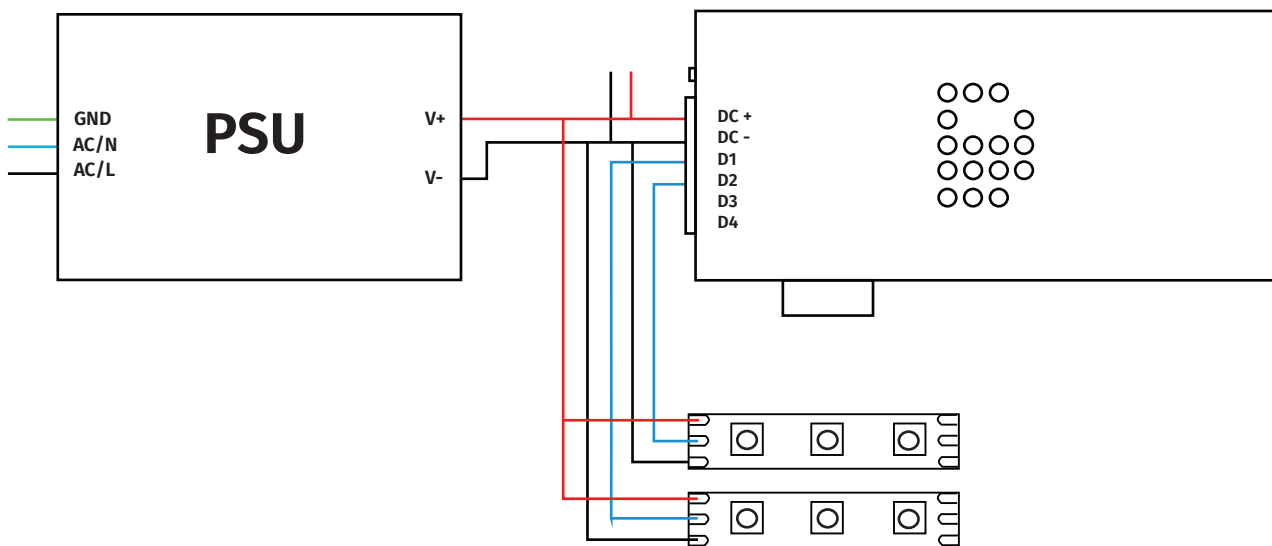
Only use a stabilized SELV rated power supply or any USB charging port that provides 5 Watts at 5 VDC to power the DiGidot C4.

If DC Jack is connected to power the DiGidot C4, the grounds between the PSU and the DiGidot C4 need to be connected.



Each SPI Ground wire must be the same length as the Data wires per output, to prevent timing issues. Minor differences in length due to uneven stripping of the wires should not cause any problems.

C4



Interfaces

Please see the C-ART-C4EX manual for how to utilize the interface. There are two Status LED indicators to provide information about the system and networking, located on the top in the logo of the DigiDot C4:

- ● **Fading Blue-Cyan** - The DigiDot C4 is Idle with a license normally.
- ● **Fading Blue-Green** - Receiving incoming signal (Art-Net/DMX)
- ● **Fading Blue-Magenta** - DigiDot C4 is playing a scene
- ○ **Fading Blue-White** - DigiDot C4 is recording or processing a scene
- ● **Fading Green-Off** - Settings successfully stored or device successfully discovered
- ● **Fading White-Off** - DigiDot C4 is updating the WiFi firmware
- ● **Fading Yellow-Off** - Preparing factory reset, keep button pressed until fading stops.
- ● **Blinking White-Cyan** - Temporary Wi-Fi Access point is activated
- ● **Blinking Red for 3 Seconds** - The General (temporary) unknown error
- ● **Alternating Red** - The microSD card must be formatted.
- ● **Alternating Blue-Red** - The DigiDot C4 system is frozen, a reset will be performed
- ● **Alternating Red-Yellow** - The internal battery is empty or has a problem
- ○ **Alternating Red-White** - DigiDot C4 has crashed, a reset will be performed
- ● **Alternating Purple-Purple** - Self test on startup failed

Safety Information

1. The product shall be installed and serviced by a qualified person.
2. This product is a non-waterproof, indoor rated device. Please avoid the sun and rain.
3. Good heat dissipation will prolong the working life of the controller, please ensure good ventilation.
4. Please check if the output voltage of any power supplies used comply with the working voltage of the products.
5. Ensure all wire connections and polarities are correct and secure before applying power to avoid any damages to the LED lights.
6. If a fault occurs please return the product to your supplier. Do not attempt to fix this product by yourself.

Dimensions

