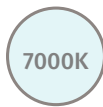





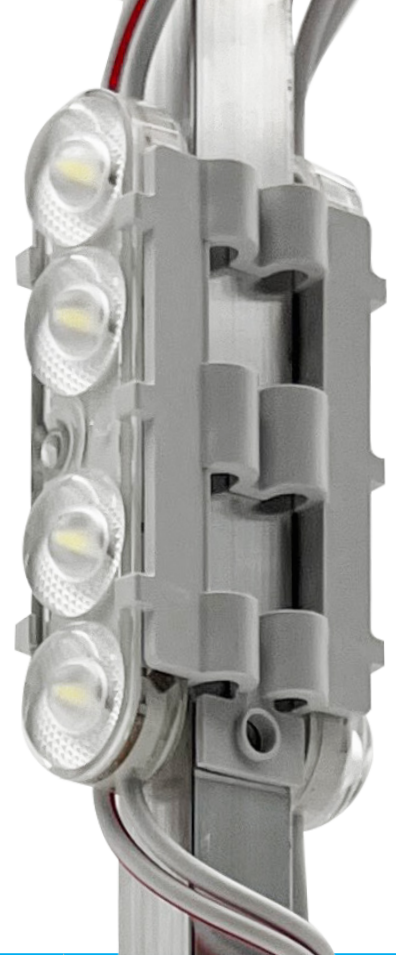
FLASH

Sign Box Lighting

OpticMax 4D Series



Technical Parameters

Item #	Color	Peak Wave Length	clip/ft	Lm/clip	Lm/ft	Lm/W	W/clip	Viewing Angle	Waterproof
F-DS-OM4D-W7HO-CP	Cool White	7000K	1	429	429	143	3	180°	IP66

Power Supply Maximum Loading Capacity*

3 Watt by Clip

Power Supply	60W	100W	150W	200W
By Module	18	30	45	60
By Footage	18	30	45	60

*Due to voltage drop, a maximum of 25 clips can be run before power needs to be reintroduced into the line of modules.

Warranty Policy


Product
120 months
 
Labor
120 months

up to \$500 per job



Spacing Recommendations

*Spacing based on fully extended center to centers.

Single Sided Depth	Clearance	Run Gap
12-14"	11"	22"
15-18"	12"	24"
19-36"	15"	30"

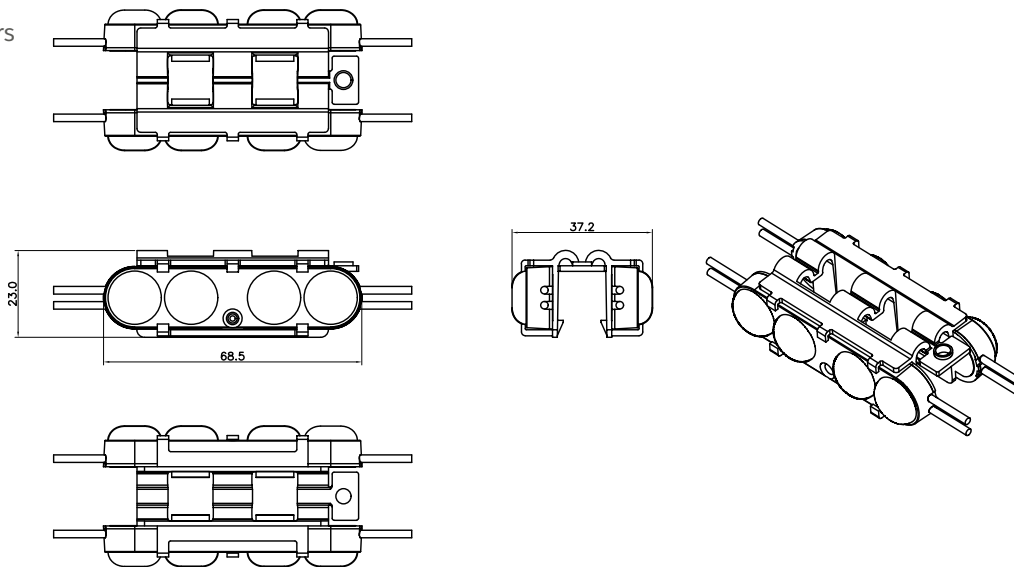
*For shallower depths or brighter output, modules will need a smaller center to center

Clip Installation

Nominal Length	Extrusion Length	Clips	Total Lumens	Total Wattage
48"	44"	5	2145	15
60"	56"	6	2574	18
72"	68"	7	3003	21
96"	92"	9	3861	27
120"	116"	11	4719	33

Drawing

UNITS: Millimeters



Packaging

Model No.	Carton Size	PCS/Bag	Mod/Carton Box	Bag Weight (kg)	Carton Weight (kg)	Date Updated
F-DS-OM4D-W7HO-CP	61 cm x 31 cm x 28 cm	100 clips	300 clips	5.2	16	10/14/2022