

Date:	
Type:	
Firm Name:	
Project:	



EVE-100-24-II

Everylite Datasheet Ver 3.0.0
Revision Date 08/2021

68 100W UL 240V

Description

EVE-100-24-II Class 2 LED power supply is a high efficiency and high performance power solutions for LED signage and other outdoor applications by featuring a wide input voltage range 100-305VAC with PFC function, surge, over voltage, over current, over temperature and short circuit protections. With the highest waterproof grade of IP68, it is designed to work under a wide range of environmental conditions with multiple protection functions for wide operating temperatures -40°F to +122°F.

Features

- 100-305VAC nominal input voltage
- IP68 metal case with silicone encapsulated designed for indoor or outdoor applications, suitable for dry, damp and wet location
- Built-in PFC function
- Protections: Short circuit, over current, over voltage, over temperature with auto recovery
- Compliance to worldwide safety regulations for lighting: UL, CE, GS, CQC
- 5 year product warranty



Specification

Output Characteristics	
Rated Output Voltage	24V
Rated Output Current	4A
Rated Output Power	100W
Output Voltage Accuracy	±5% (22.8-25.2V)
Output ripple & noise	290mVp-p

Environmental Characteristics	
Vibration	10-500HZ,5G, 12 min./1 cycle period for 72min. (for X, Y, Z each axis)
IP Grade	IP68
Storage Humidity	10-95%RH
Storage Temperature	-40° F~+158° F
Working Humidity	20-95%RH (non-condensing)
Working Temperature	-40° F~+122° F

Safety and EMC		
Safety Standard	UL, FCC, CLASS II, RoHS	
Dielectric Strength (Hi-Pot)	I/P-O/P	3.75KVAC
	I/P-Case	2.0KVAC
Isolation Resistance	100MOhm Max/ 500VDC	
Grounding Resistance	100MOhm	
EMC	FCC part 15 class B	

Input Characteristics	
Input Voltage Range	100-305VAC
Input Frequency Range	50-60HZ
Input Current	1.6A @ 115V
	0.8A @ 230V
Inrush Current (cold start)	≤60A (230VAC)
Efficiency	≥87%

Protective Characteristics	
Over-Temperature Protection	Yes
Over-Voltage Protection	Yes
Short-Circuit Protection	Yes
Over-Current Protection	Yes

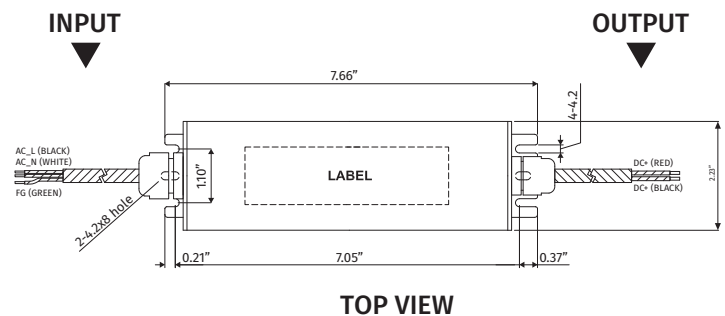
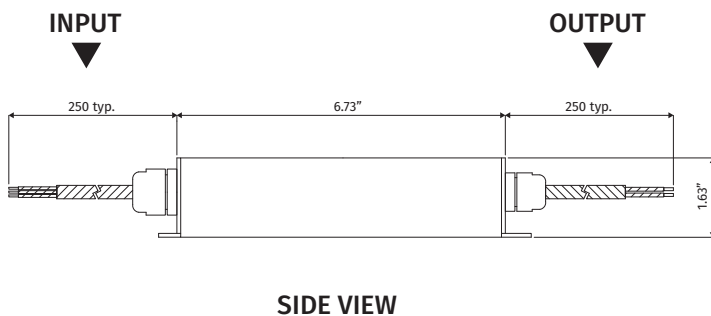
Other Characteristics	
Size	7.66"x2.23"x1.63"(L*W*H)
Weight	1.65 lbs

Notes

- All Parameters not specially mentioned are measured at 220VAC.
- Test environment temperature : 77° F
- Ripple & noise are measured at 20MHz of bandwidth by using a 12" twisted pair-wire terminated with 0.1uF & 47uF parallel capacitor.
- The above data are typical values; the actual data of each single product could differ from the typical values.
- The data subject to change without prior notice.
- Please ensure that the ground wire is properly grounded and ensure it does not come into contact with the neutral wire.
- Please ensure the power supply position has sufficient airflow. Operating temperature must be between -40° F to +122° F.
- Power supply operates at high temperature. To avoid injury, do not touch while in use.
- Do not install with power connected or during an electrical disturbance.
- To be installed by a certified electrician. Please contact the supplier with any questions.

Drawing


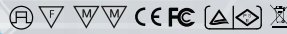
Unit: inches






Label Drawing

AC-input

- L
- black
- N
- white
- PE
- green

EVE-100-24-II
LED Driver: For LED Only

SELV RoHS IP68 EVE-100-24-II

Class 2 Power Outputs

Efficiency	87%
TA	-40-50°C
TC	158°F
Output Voltage	24V
Output Power	100W
PF	0.6 max

- 1-888-567-4533
- www.everylite.com
- Made in Korea
- **Constant Voltage**
- **Class 2 Power Supply**
- Suitable for Dry, Damp and Wet Locations

DC-output

- + red
- black
- + red
- black