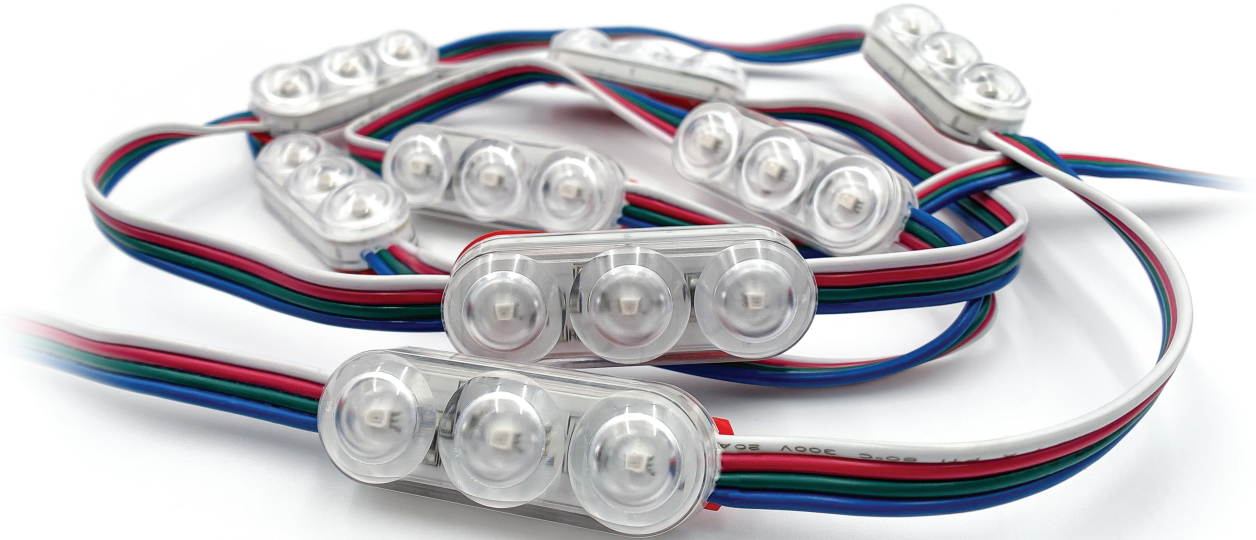


Date:	
Type:	
Firm Name:	
Project:	



# Rainbow 2 Series

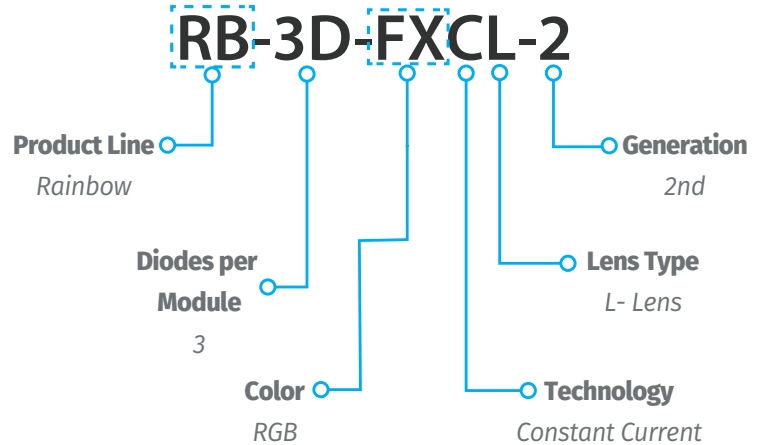
Everylite Datasheet Ver 3.0.1  
Revision Date 02/2022



## Features

- Rainbow 2 Series RGB color changing 3-diode LED module for signage & accent lighting applications
- Homogeneity in lighting and stable performance
- Incredible 160° beam angle
- Guaranteed lifetime up to 50,000 hours
- Pre-installed double sided tape for a quick layout and screw hole in all modules for easy permanent installation
- UL, CE and RoHS

**RB-3D-FXCL-2**



## Rainbow 2 Series Parameters

Item #	Color	Peak Wave Length	module/ft	Lm/module	Lm/ft	Lm/W	W/module	W/ft	Input Voltage	Viewing Angle	Waterproof
RB-3D-FXCL-2	Red	620-625nm	2	7	14	29	0.72	1.44	12	160°	IP68
	Green	520-525nm	2	13	27	56					
	Blue	465-470nm	2	3	6	13					
	RGB	30000+	2	23	47	33					

## Power Supply Maximum Loading Capacity\*

0.72 Watt LED

Power Supply	20W	60W	100W	150W	240W
By Module	25 mods	75 mods	125 mods	187 mods	300 mods
By Footage	15.6 ft	46.9 ft	78.1 ft	116.9 ft	187.5 ft

\*Due to voltage drop, a maximum of 50 modules can be run before power needs to be reintroduced into the line of modules.

## Drawing

Unit: inches

